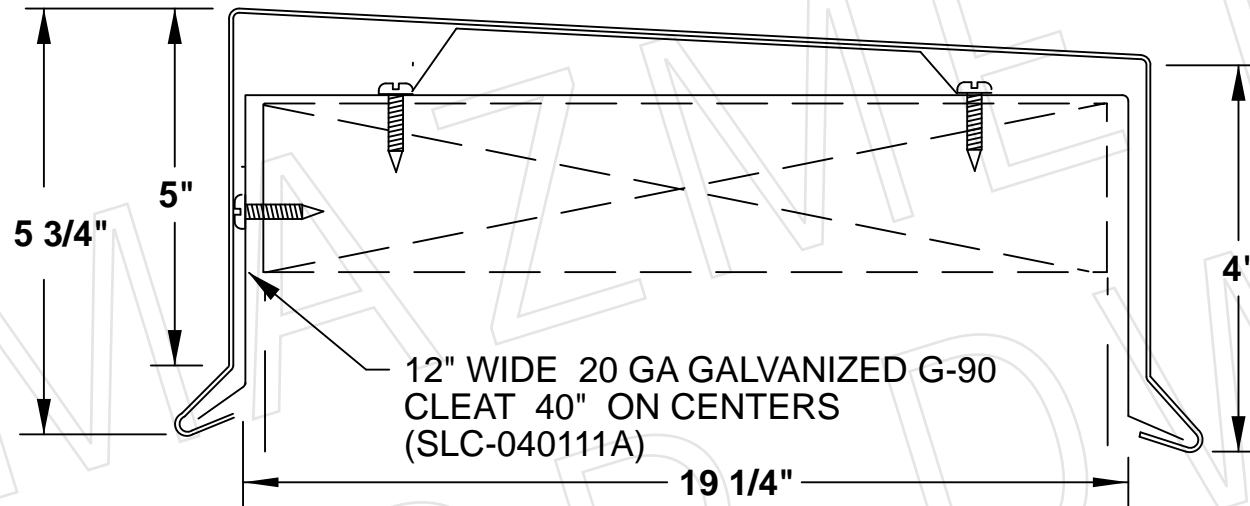


ALL SCREWS 1.125" #10-9x1.125 MINIMUM
LOW PROFILE HEAD .375" DIA HEAD MINIMUM

6" WIDE CONCEALED SPLICE PLATES
SHALL BE PROVIDED UNLESS
OTHERWISE INSTRUCTED



TESTED MATERIALS:

COPING MATERIAL: .040 .050 .063 ALUMINUM

CLEAT MATERIAL: 20 GA GALVANIZED (SLC-040111A)

ES-1 SNAP LOCK COPING WIDE



MAZMET

Metal Products

1050 Bristol Road - Mountainside NJ
Phone 908-654-7686 Fax 908-654-7898

SK-CG-109W-ES