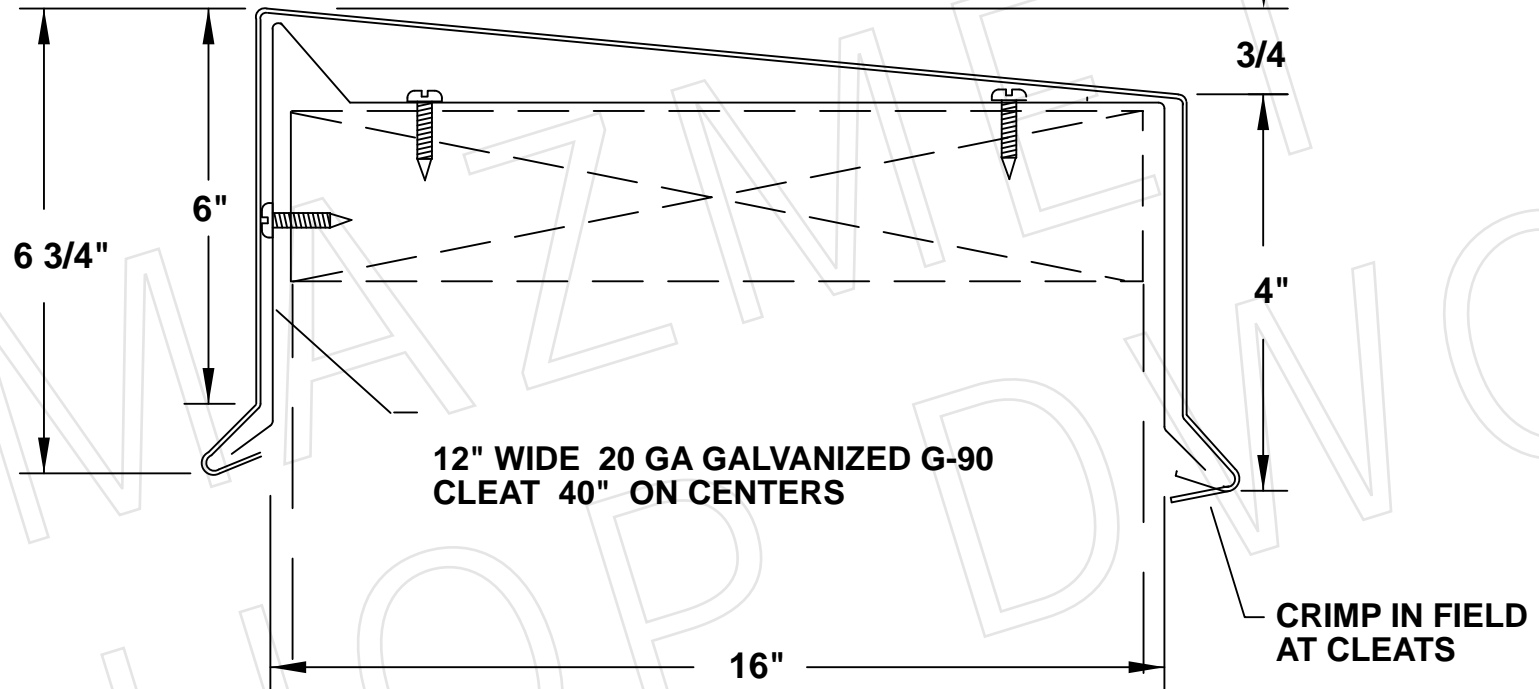


ALL SCREWS 1.125" #10-9x1.125" MINIMUM  
LOW PROFILE HEAD .375" DIA HEAD MINIMUM

6" WIDE CONCEALED SPLICE PLATES  
SHALL BE PROVIDED UNLESS  
OTHERWISE INSTRUCTED

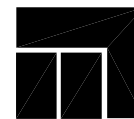


**TESTED MATERIALS:**

**COPING MATERIAL: 22, 24 GA GALVANIZED .040 .050 .063 ALUMINUM**

**CLEAT MATERIAL: 20 GA GALVANIZED**

**ES-1 MECHANICAL LOCK COPING**



**MAZMET**

**Metal Products**

1050 Bristol Road - Mountainside NJ  
Phone 908-654-7686 Fax 908-654-7898

**SK-CG-105-ES**