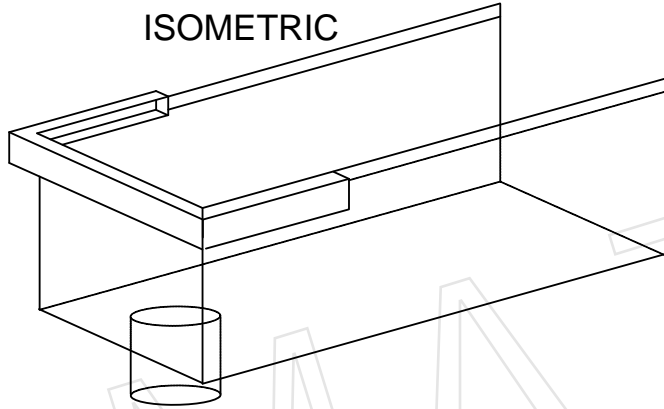
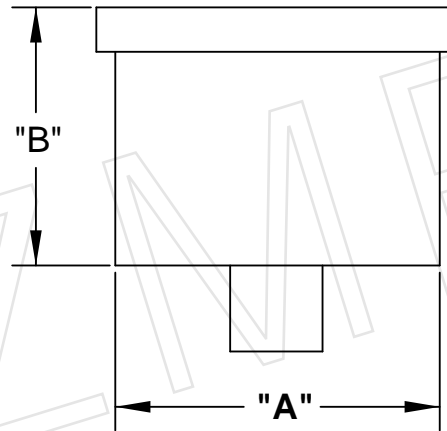


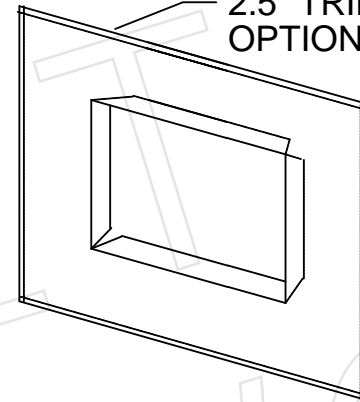
ISOMETRIC



FRONT



2.5" TRIM RING  
OPTIONAL



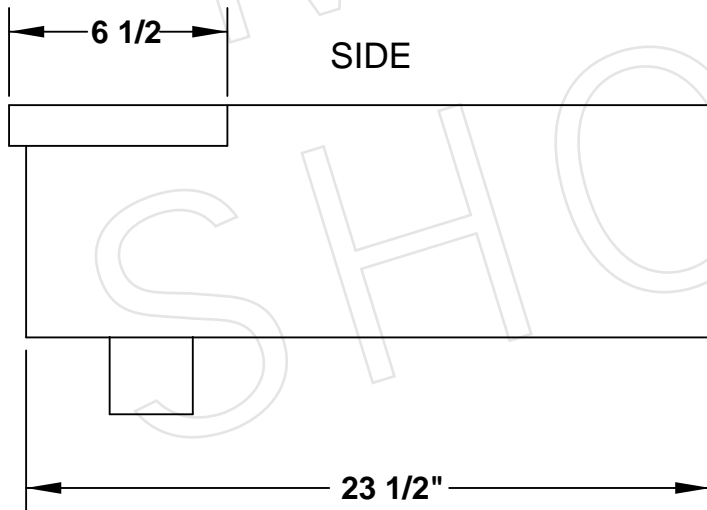
**STOCK SIZES**

"A"	"B"
8"	8"

**CUSTOM SIZE**

"A"	"B"

SIDE



**OUTLET SIZE**

- 4"
- 5"
- 6"

**OPTIONAL TRIM RING**

- YES
- NO

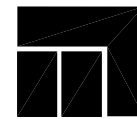
MATERIAL \_\_\_\_\_

**STOCK FINISHES**

- MILL FINISH ALUMINUM
- BRONZE POLYESTER
- WHITE POLYESTER

ADDITIONAL COLORS AND FINISHES AVAILABLE

**STRAIGHT SCUPPER**



**MAZMET**  
Metal Products

1050 Bristol Road - Mountainside NJ  
Phone 908-654-7686 Fax 908-654-7898