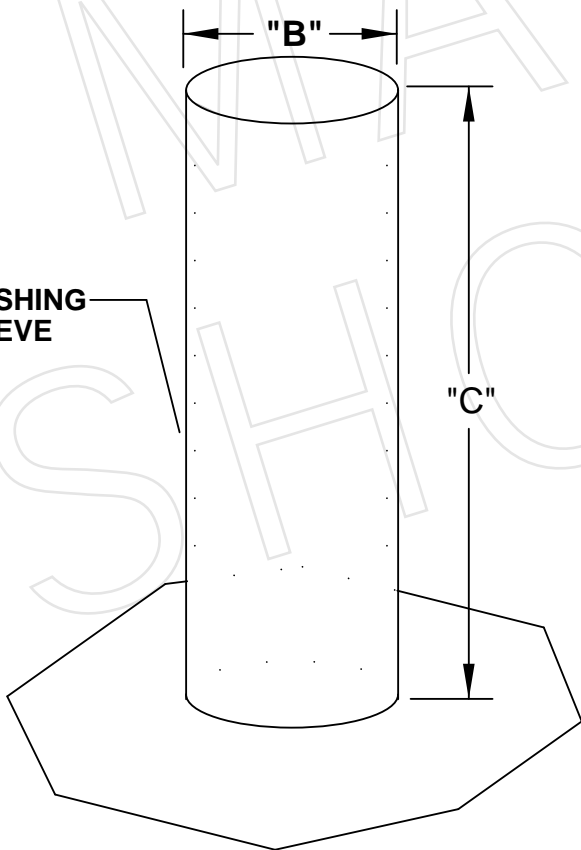


FLASHING SLEEVE



"A" = PIPE O.D. + 1/8" = _____

"B" = PIPE O.D. + 1/2" = _____

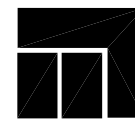
"C" = HEIGHT = _____

QUANTITY _____

MATERIAL

- 24 GA. GALV.
- 16 oz COPPER
- 20 oz COPPER
- 16 oz L.C.C.
- 20 oz L.C.C.
- 26 ga STAINLESS
- 24 ga STAINLESS

VENT PIPE FLASHING/RAIN COLLAR



MAZMET
Metal Products

1050 Bristol Road - Mountainside NJ
Phone 908-654-7686 Fax 908-654-7898