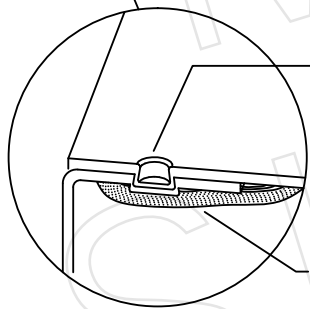
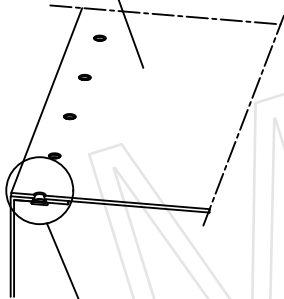
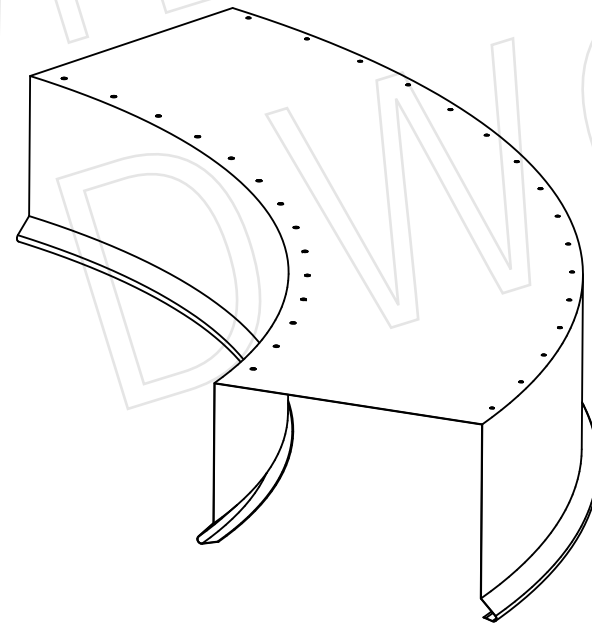


TOP VIEW



NON PENETRATING  
ATTACHMENT

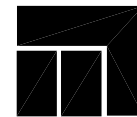
STRUCTURAL SILICONE  
WATERTIGHT SEALANT



### TOG-L-LOC ATTACHMENT FEATURES

- ◆ NO RIVETS SCREWS OR OTHER PENETRATING FASTENERS
- ◆ STRONG AND EXTREMELY FATIGUE RESISTANT
- ◆ FINISH WARRANTY NOT VOIDED
- ◆ LEAK PROOF
- ◆ REQUIRES NO POST FINISHING

RADIUS COPING



**MAZMET**  
Metal Products

1050 Bristol Road - Mountainside NJ  
Phone 908-654-7686 Fax 908-654-7898