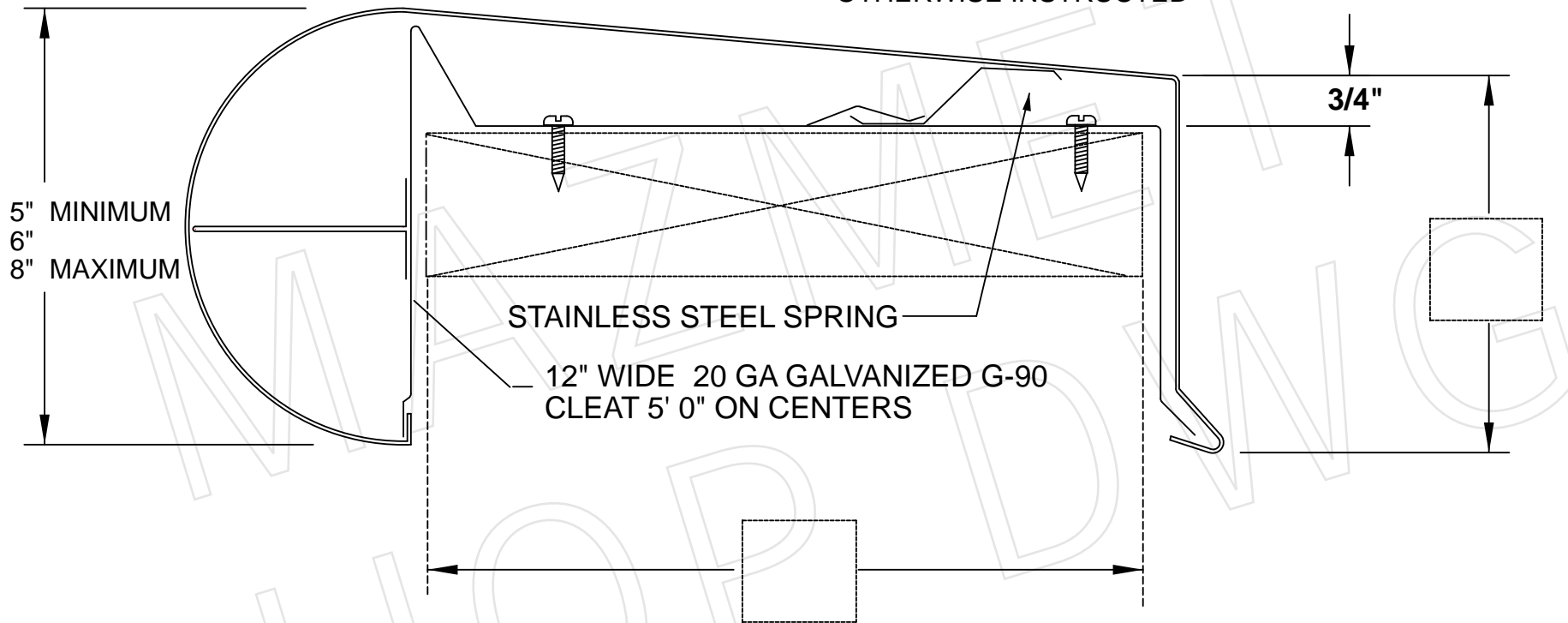


8" WIDE CONCEALED SPLICE PLATES
SHALL BE PROVIDED UNLESS
OTHERWISE INSTRUCTED



MAZMET Miters are standard with toggle lock joints and watertight sealant. Welding of miters require post painting at the welds on Kynar and Enamel finishes.

ACTUAL WALL DIMENSION
SUPPLY VALUE HERE

MAZMET WILL ADD 3/8"

MATERIALS

- 24 GA. GALV.
- .032 ALUMINUM
- .040 ALUMINUM
- .050 ALUMINUM
- .063 ALUMINUM
- OTHER _____

FINISH

- KYNAR
- MILL FINISH
- ENAMEL
- ANODIZED

COLOR _____

QUANTITIES

_____ Lineal ft.
 _____ Outside Miters @ _____ Deg.
 _____ Inside Miters @ _____ Deg.

BULLNOSE COPING



MAZMET
Metal Products

1050 Bristol Road - Mountainside NJ
 Phone 908-654-7686 Fax 908-654-7898