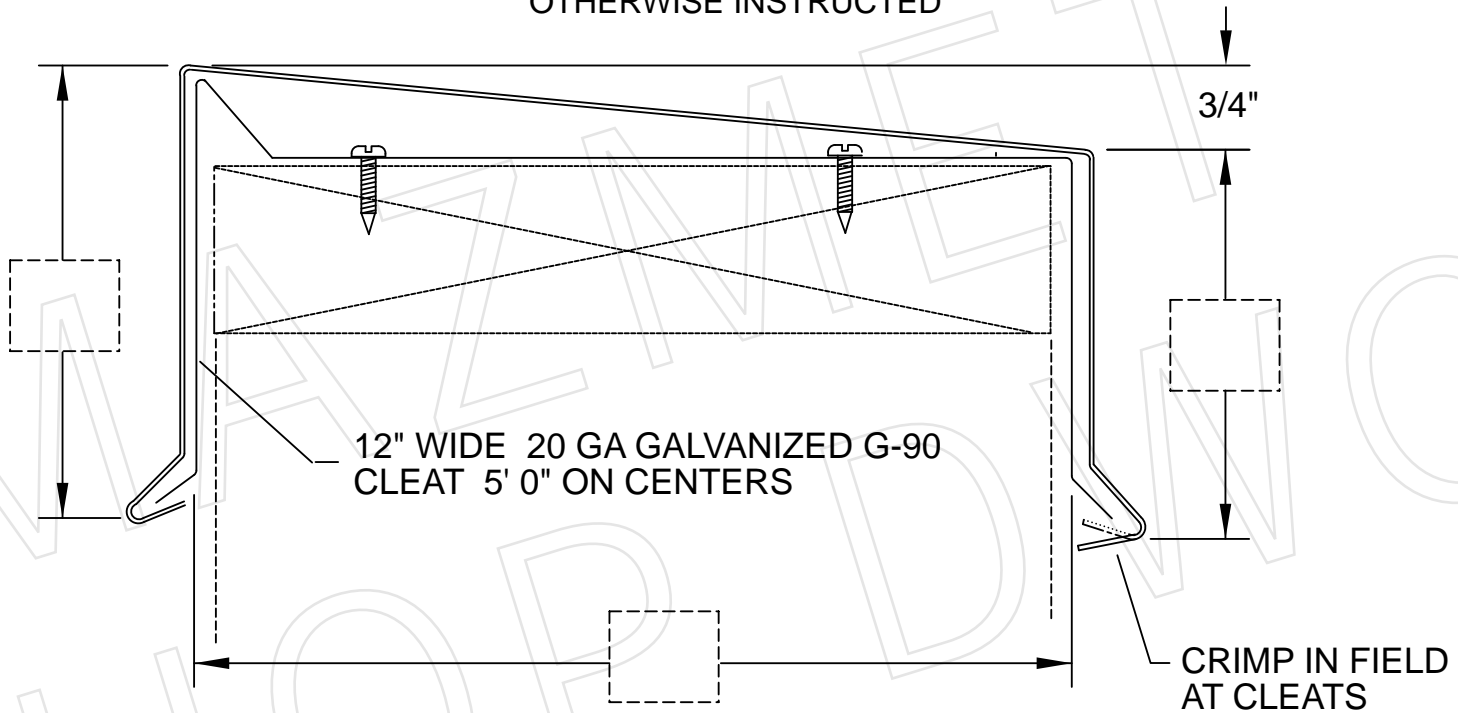


6" WIDE CONCEALED SPLICE PLATES
SHALL BE PROVIDED UNLESS
OTHERWISE INSTRUCTED



ACTUAL WALL DIMENSION
SUPPLY VALUE HERE

MAZMET WILL ADD 3/8"

MAZMET Miters are standard with toggle lock joints and watertight sealant. Welding of miters require post painting at the welds on Kynar and Enamel finishes.

MATERIALS

- 24 GA. GALV.
- .032 ALUMINUM
- .040 ALUMINUM
- .050 ALUMINUM
- .063 ALUMINUM
- OTHER _____

FINISH

- KYNAR
- MILL FINISH
- ENAMEL
- ANODIZED

COLOR _____

QUANTITIES

- _____ Lineal ft.
- _____ Outside Miters @ _____ Deg.
- _____ Inside Miters @ _____ Deg.
- _____ END CAPS (LEFT).
- _____ END CAPS (RIGHT)

MECHANICAL LOCK COPING PITCHED



MAZMET
Metal Products

1050 Bristol Road - Mountainside NJ
Phone 908-654-7686 Fax 908-654-7898