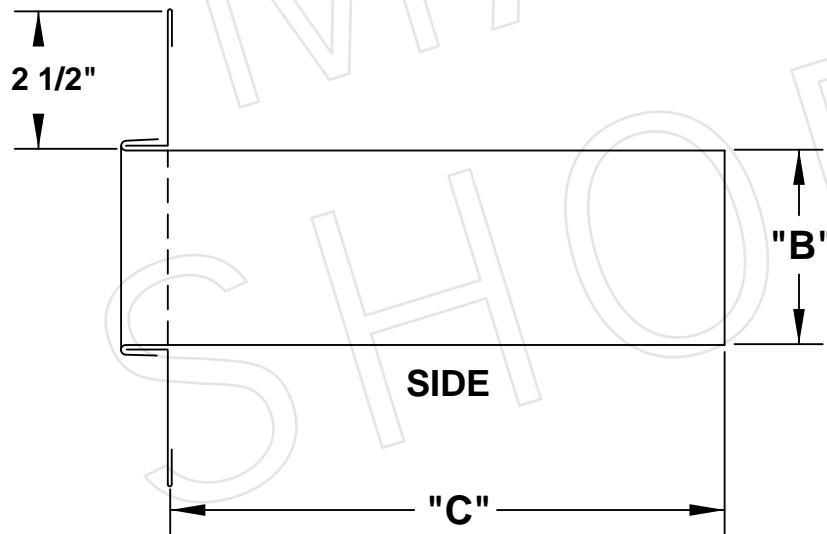
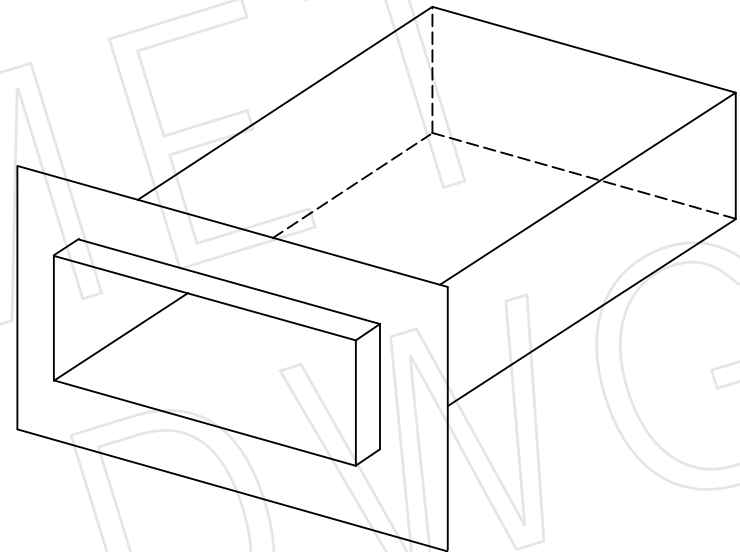


FRONT



SIDE

"A" _____

"B" _____

"C" _____

QUANTITY _____

MATERIAL

- 24 GA. GALV.
- .032 ALUMINUM
- .040 ALUMINUM
- .050 ALUMINUM
- 16oz. COPPER

MATERIAL (cont.)

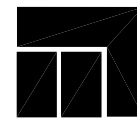
- 20oz. COPPER
- 16 oz. L.C.C.
- 20 oz. L.C.C.
- 26 ga. STAINLESS
- 24 ga. STAINLESS

FINISH

- KYNAR
- MILL FINISH
- ENAMEL
- ANODIZED

COLOR _____

OVERFLOW SCUPPER



MAZMET
Metal Products

1050 Bristol Road - Mountainside NJ
Phone 908-654-7686 Fax 908-654-7898